



Air Feeding system

Spare parts

Air Feeding system

Spare parts

Title:	Air Feeding System – Spare parts
Doc. ID	
Created:	22.08.2019
Created by:	SB
Changed:	
Main Revisions:	3

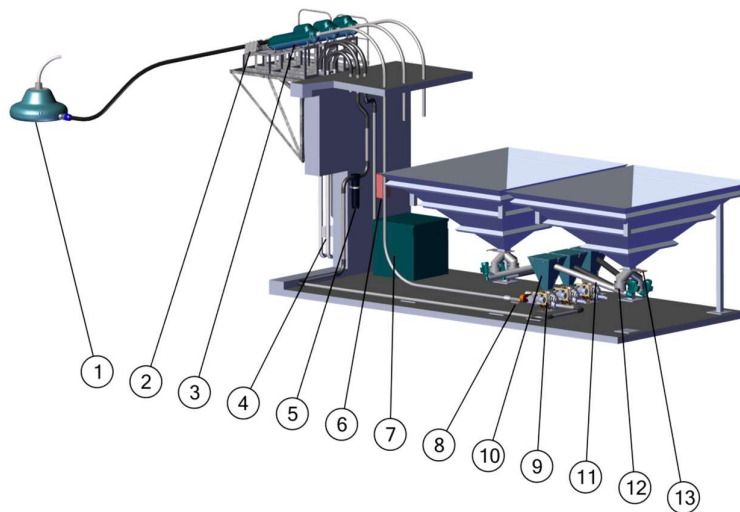
Rev:	Rev. date:	By (initials):	Change:
1	22.08.2019	SB	Document updated to ScaleAQ template
2	17.10.2019	IDFR	Updated page 6 tables with item number from 409294 to 446199 – Spreader nozzle
3	21.04.2026	SN	Updated with new info

SCALEAQ FEEDING SYSTEM – COMPONENTS

Thank you for choosing ScaleAQ as your supplier of aquaculture technology. ScaleAQ has specialized in delivering products and solutions to aquaculture, maritime industries and the oil and gas industry. We have more than 25 years of experience in developing innovative and robust solutions that will withstand the rigors of time. All our products are made to work year after year in demanding environments. We are headquartered in Norway and have several departments along the Norwegian coast. In addition, you will also find us in Scotland, Chile, Vietnam, Canada, Oceania and Estonia. We are also represented in Turkey, on Iceland, and on the Faroe Islands.

This catalogue contains an overview of components in the ScaleAQ Feeding System. The catalogue is intended to give you as a customer a better overview of your system and make it easy for you to order spare parts and maintenance. Some illustrations have position numbers showing where each part is mounted in each unit. This will help you locate the correct spare parts for your equipment.

ScaleAQ is under no circumstances responsible for work performed of other than authorized ScaleAQ personnel or use of other spare parts not delivered by ScaleAQ, unless the spare parts are delivered by a vendor recommended by ScaleAQ



Position	Product Name
1	Air Spreader
2	Feed Pipe Support
3	3 Hole Selector Valve
4	Water Air cooler
5	Water Separator (not applicable after 2017)
6	Frequency Drive "VSD"
7	Blower
8	Cleaning Station
9	Sluice
10	Sluice Box with power and level sensor
11	Auger with gear and motor
12	Silo Outlet (Boxer)
13	Silo Shutoff Plate

CONTENT

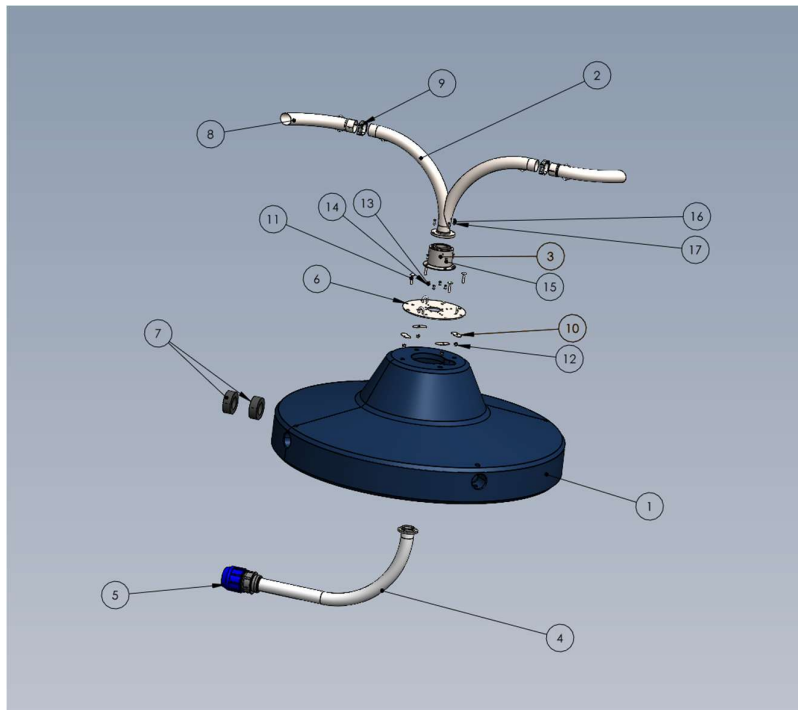
1.	Spreaders	6
1.1.	Air Spreader 2024 <	6
1.2.	Air Spreader 2015	8
1.1.1	Rotor and nozzle – Airspreader 2015 - 2024.....	9
1.3.	Smart Spreader	11
2.	FEEDPIPE and Parts	15
2.1.	Feed pipe	15
2.2.	Feed pipe organizers	15
3.	Pipe Supports	16
3.1.	1 Hole Pipe Support	16
3.2.	3 Hole Pipe Support	17
3.3.	6 Hole Pipe Support	18
3.4.	12 Hole Pipe Support	19
4.	Selector valves	20
4.1.	3 Hole Selector Valve.....	20
4.2.	15 Deg. Frame for 3 Hole Selector Valve	23
4.3.	Mount Component 3 Hole Selector Valve (without frame 15degree)	23
4.4.	Rear Adapter Pipe Support for direct line	24
4.5.	Adapter Pipe Support for direct line	24
4.6.	6 Hole Selector Valve.....	25
4.7.	15 Deg. Frame for 6 Hole Selector Valve	25
4.8.	Inductive sensor – selectors.....	26
4.9.	12 Hole Selector Valve.....	27
4.10.	15 Deg. Frame for 12 Hole Selector Valve	31
4.11.	Encoder for 12 Hole Selector Valve	31
4.12.	Safety Switch for Selector Valve	31
4.13.	Feedpipe adapters direct lines and selectors	32
4.14.	24 Hole Selector Valve (for Ø48mm feedsystems).....	32
4.15.	Encoder for 24 Hole Selector Valve	33
5.	U-Cooler	34
5.1.	Double U-cooler with sliding bracket complete	34
5.2.	Spares for U-cooler	34
6.	Blowers	35
6.1.	Blower Robuschi	35
6.2.	Blower Aerzen	35
6.3.	Blower Kaeser	36
6.4.	For All Blowers	36
7.	Frequency ConverterS	36

8.	Pipes, Clamps, Fittings and Bends	37
8.1.	Pipes and fittings.....	37
8.2.	Bends	38
9.	Cleaning Station	39
9.1.	Cleaning Station Ø76,1	39
9.2.	Cleaning Station Ø84x2 Ocea feeding system size.....	40
10.	Sensors.....	40
11.	Sluices and accesories.....	41
11.1.	Sluice H-GRD 200 Easy (TBMA).....	41
11.2.	Sluice BL 200 Easy (Westinghouse).....	42
11.3.	Adjustable Brackets (stands for all sluices)	43
11.4.	Plough (for all types sluiceboxes)	43
11.5.	Safety switches Sluice parts	44
12.	Sluice BoxES.....	44
12.1.	High Profile boxes	44
12.2.	Low Profile boxes	45
12.3.	Spare Parts Sluice Boxes	45
12.4.	Calibration weight.....	46
13.	Silo outlets	47
13.1.	Silo Shut Off and Plate w/ bolts.....	47
13.2.	Silo Outlet Single - Ø200 H=100.....	48
13.3.	Silo Outlet Double - Ø200 H=321	48
13.4.	Silo Outlet Trippel - Ø200 H=316	49
14.	AugerS Ø129mm	50
14.1.	Auger 2,0 m – 3,0 m.....	50
14.2.	Auger 3,5 m – 5,0 m with shaft support	50
14.1.	Spare Parts Augers Ø129mm and silo spares parts.....	51
15.	Control Cabinets	52
15.1.	Spares for control cabinets	52
16.	Other Equipment	53

1. SPREADERS

1.1. Air Spreader 2024 <

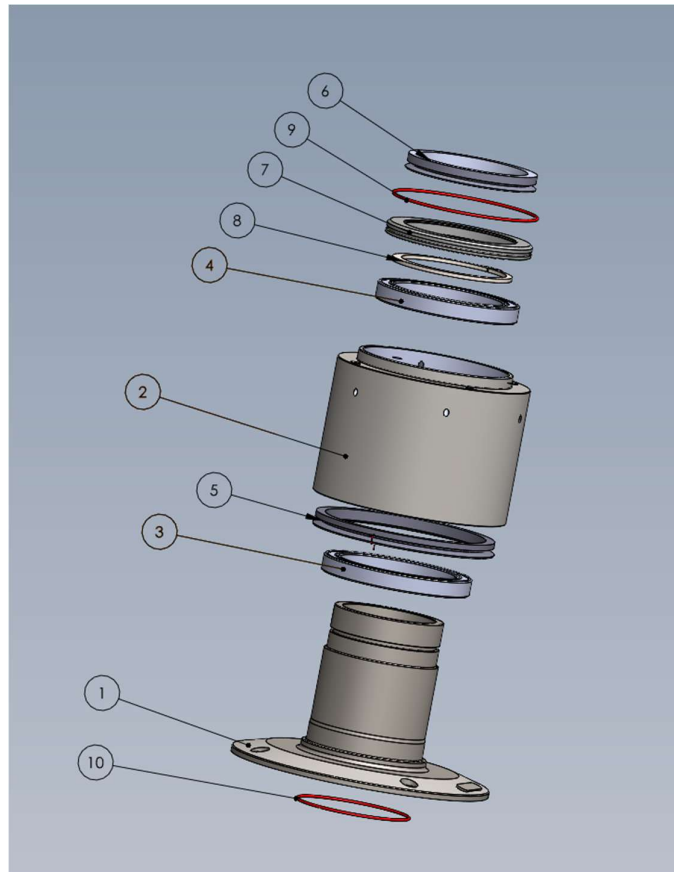
#504027



1.1-1: Air Spreader 2024

Position	Description	Product No.	Qty
1	Float Air spreader blue 2024	504028	1
2	Rotor pipe Assy 2024	494931	1
3	Bearing house Assy 2024	494993	1
4	Stator pipe ø80 Assy 2024	494992	1
5	Magnum 3" Ø90	403197	1
6	Base plate with liftingeye for Air spreader 2024	495369	1
7	Rubber packing	417981	1
8	Air spreader nozzle complete 946638	446199	2
9	Hose Clamp 75-85 969649	495091	2
10	WASHER FLOAT 845901	409410	4
11	Bolt cup head square neck M12x60 A4 DIN 603	403360	4
12	LOCK NUT M12 A4 DIN985	407648	4
13	Screw hex M8X20 A4 DIN933	403201	4
14	Washer M8 SPRING CURVED DIN 128A A4	495521	8
15	Socket cap screw M8x20 A4 DIN 912	495179	4
16	SCREW HEX M8X30 A4 DIN933	403202	4

#494993 - Bearing house Assy 2024

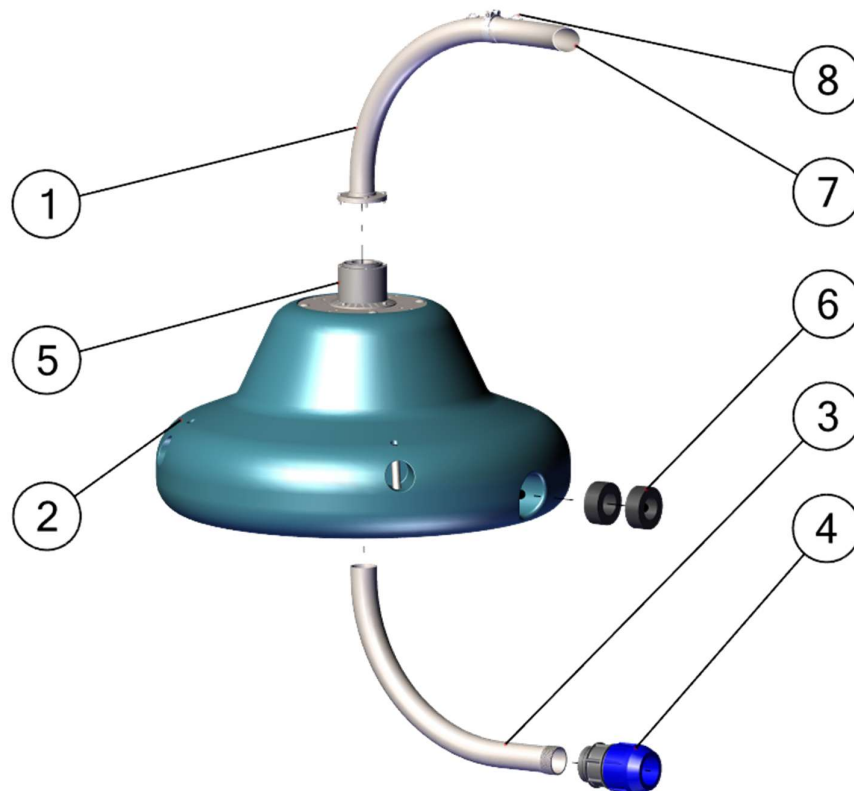


1.1-2: Bearing House Assy 2024

Position	Description	Product No.	Qty
1	Inlet Shaft 2023 968789	494994	1
2	Rotation Sleeve 2023 968791	494995	1
3	Deep Groove Ball-Bearing SS 61818 2RS-AC+-ZEN	502647	1
4	Deep Groove Ball-Bearing S61817 2RS -AC+-ZEN	495045	1
5	V-ring 130 60SH A NBR	495034	1
6	TWVA00900-N6T50 (V-RING)	411895	1
7	Bearing protection ring 2023 968790	494996	1
8	CIRCLIP STAINLESS SS420 A 85	411898	1
9	O-ring 110x2 NBR70	445233	1
10	O-RING 85 x 2.0 NBR 70	411900	1

1.2. Air Spreader 2015

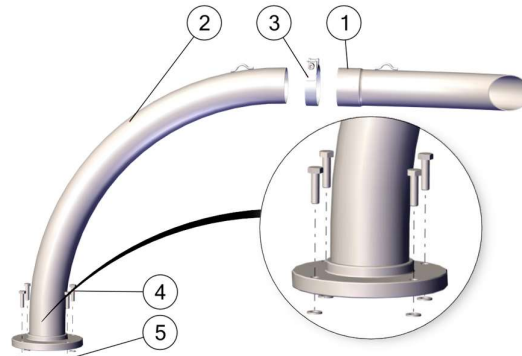
#411872



1.2-1: Air Spreader 2015

Position	Description	Product No.	Qty
1	Rotor pipe	411888	1
2	Float	410363	1
3	Stator	411875	1
4	Magnum 3" Ø90	407908	1
5	Bearing house	411892	1
6	Rubber packing	417981	2
7	Spreader outlet nozzle stainless	446199	1
8			

1.1.1 Rotor and nozzle – Airspreader 2015 - 2024

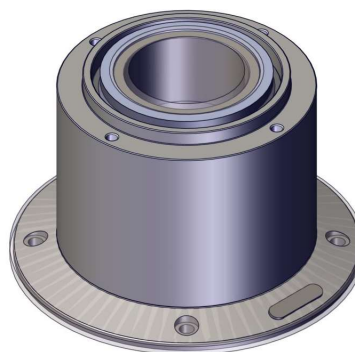


1.2-2: Rotor and Nozzle - Airspreader 2015 - 2024

Position	Description	Product No.	Qty
1	Spreader outlet nozzle stainless	446199	1
2	Rotor pipe	411888	1
3	HPJ clamp w/screw	417978	1
4	M8x30 hex bolt		4
5	Spring washer DIN128 A8		4

#411892- SPREADER BEARING HOUSE 2015

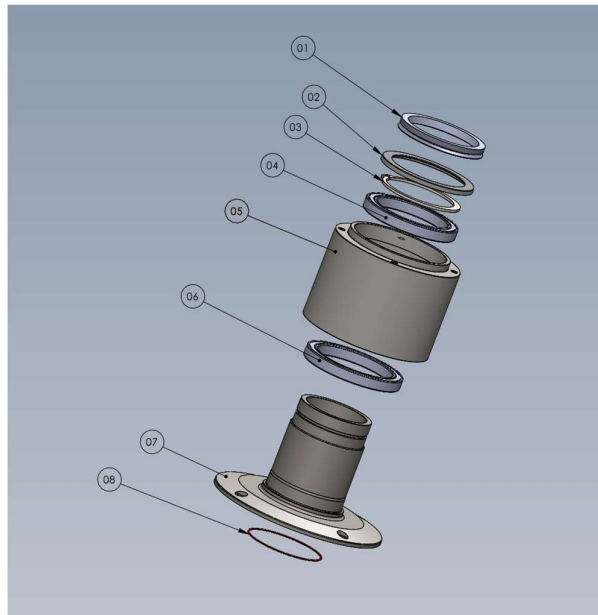
Complete bearing house



1.2-3: Spreader Bearing House 2015

#431342- SPREADER BEARING HOUSE REFURBISHMENT KIT 2015

Kit contains all parts from picture except pos 5 and pos 7



1.2-4: Spreader Bearing House Exploded View

Position	Description	Product No.	Qty
01	TWVA00900-N6T50 (V-RING)	411895	1
02	BEARING PROTECTION RING 840179	411936	1
03	CIRCLIP STAINLESS SS420 A 85	411898	1
04	Deep Groove Ball-Bearing S61817 2RS -AC+-ZEN	495045	1
05	ROTATION SLEEVE 840205	411894	1
06	Deep Groove Ball-Bearing SS 61818 2RS-AC+-ZEN	502647	1
07	INLET SHAFT 839041	411893	1
08	O-RING 85 x 2.0 NBR 70	411900	1

#430250- Refurbished spreader bearing house 2015

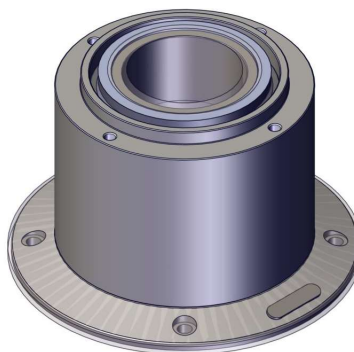
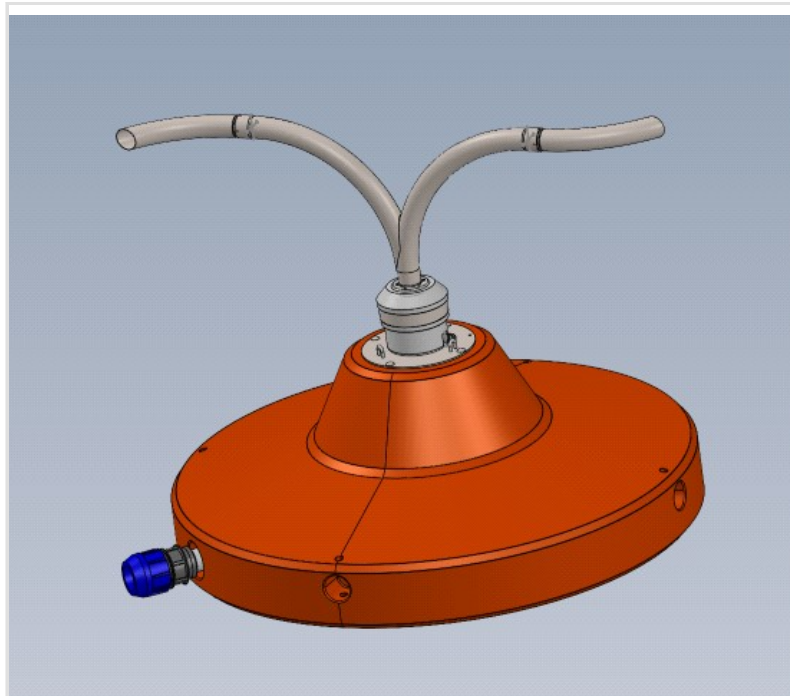


Figure 1.2-5 - Refurbished bearing

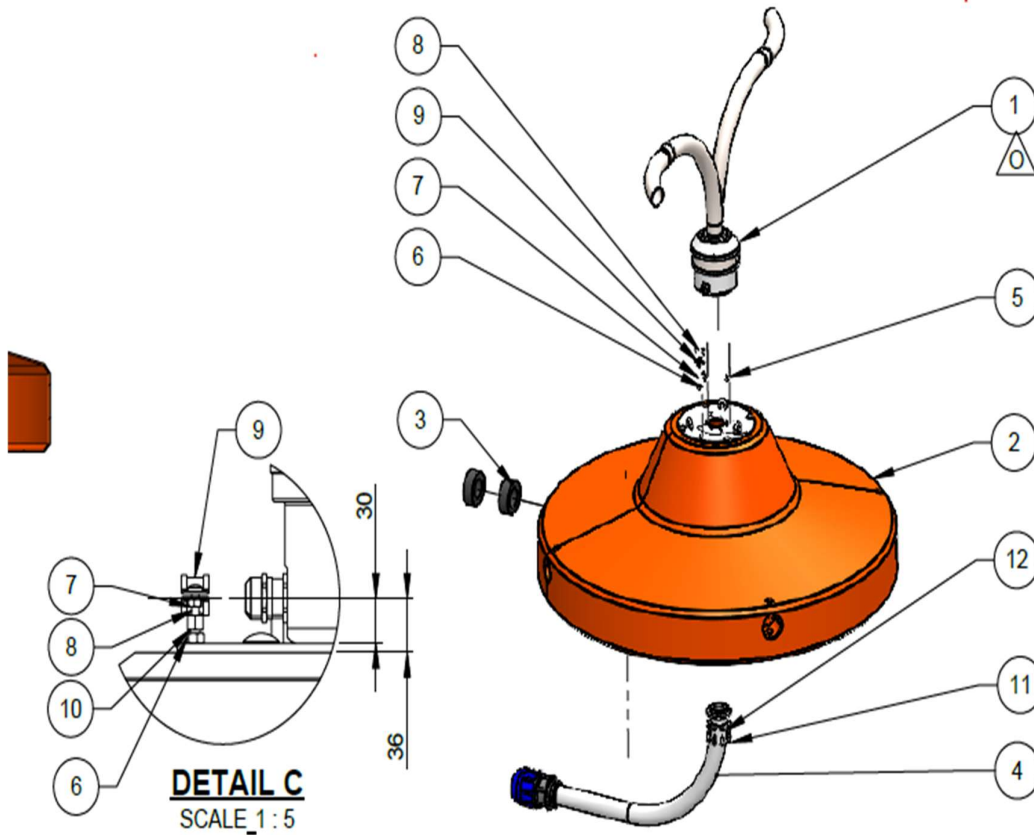
1.3. Smart Spreader

#501845 - MS-1000 SmartSpreader with cabinet and 45m cable



1.3-1: Smart Spreader

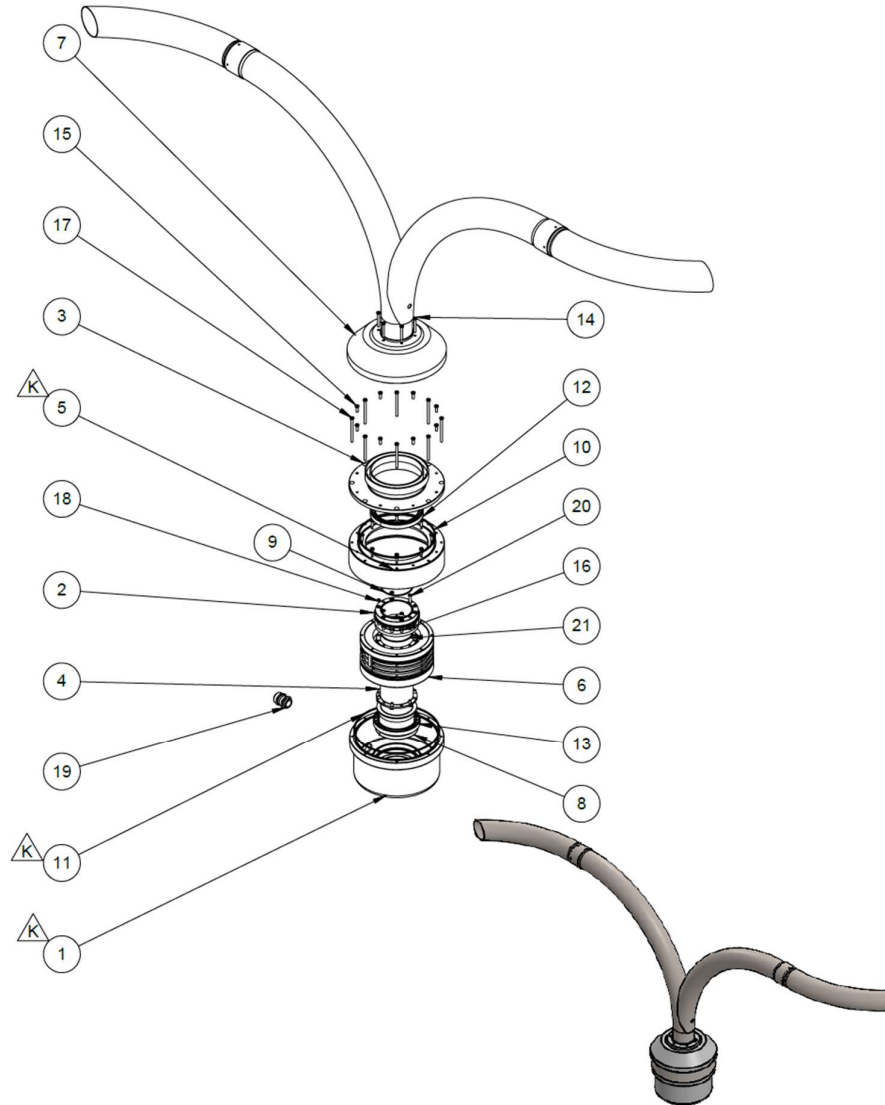
Pos.	Description – Smart spreader	Product No.	Qty
	Float for Smart spreader, Orange	449799	1
	Smartspreader house w/base	450211	1
	Smartspreader Control cabinet with protection box	450323	1



1.3-2: Smart Spreader Exploded View

Pos.	Description – Smart spreader	Product No.	Qty
1	Smartspreader bearing house w/ pipes & cable	450110	
6-10	Pipe Clamp Ø12-15mm M8 AISI316/EPDM	503599	1
On Pos. 2	Base plate with lifting eye for Smartspreader	450206	
3	RUBBER FOR SPREADER/FLOAT(VIET	417981	2
On Pos. 4	MAGNUM 90 MM X 3" INNV. R ZSO12- 090-R080	407908	1
	Bolt pack for Smartspreader	450213	1
4	Stator pipe ø80 Assy SmartSpreader 959451		

#450110 - Smartspreader bearing house w/ pipes & cable



1.3-3: Smart Spreader Bearing House w/ Pipes & Cables Exploded View

Pos.	Description – Minimum Service Parts	Product No.	Qty
8	SAQ AF - Lower seal - Smartspreader-motor	507326	1
13	Deep Groove Ball-Bearing SS 61818 2RS-AC+-ZEN	502647	1
12	Deep Groove Ball-Bearing SS 61821 2RS-AC+-ZEN	502648	1
	MOLYKOTE 3452 100G	450577	0,05
9	O-RING 75x2 NBR70	502350	1
21	O-RING 75x2.00 PTFE (Teflon)	504382	1
10	O-RING 184x3 NBR70	502351	1
11	O-RING 205x2 NBR70	502352	1
18	O-RING 6.5x1.5 NBR70	502353	6

Pos.	Description – Other spare parts	Product No.	Qty
	ØLFLEX PETRO FD 865 CP 7G1.5	502646	45M
	Strech Compensator for 16mm Cable	410224	2
	Carabiner hook w/screw 100x10 A4	451062	2
19	EMC nippel M25 syrefast EPDM Ø 9-17mm	502122	1
	Wago 221-2411	502243	6
	KRYMPESL.SORT 34-7MM SRH2	501127	0,4
6	ROTOR. MRT160A-3N-0080-NNNN.85030099	449991	1
6	STATOR. MST160A-0050-FT-N0CN-NNNN.85030099	449992	1
	Bolt pack for Smartspreader	450213	1
	Aqua Shield Grease 156 g	444872	
	Molykote 111	408053	
7	Smartspreader - Top-side cap with feed tubes	495063	

Pos.	Description – Parts for Harting-connector	Product No.	Qty
	SKINTOP@MS-SC-M 25 9.0-16.5	500419	1
	Han 3HPR Hood, Top entry M25	507085	1
	Han 3HPR-HBM-SL, powder coating	507086	1
	Han Q5/0-M-QL 2,5mm ²	507087	1
	Han Q5/0-F-QL 2,5mm ²	507088	1
	Lid for Fiberconnector Cable ASSY	444556	1
	Lid for Fiberconnector Panel	406873	1
	Connectorplate SmartSpreader cab. with PBSO-Harting cont.	495737	1
	Cable support SW-0978978	506480	1

Pos.	Description – Control device with spare parts	Product No.	Qty
	SmartSpreader Standalone software device	502048	1
	Smartspreader Control cabinet with protection box	450323	1
	ATV320 200V 1.1kW compact	501216	
	Kommunikasjons adapter kort VW3A3600	501236	
	Ethernet IP-modul	501215	
	ODG100250 Multiconnector – LAN Passive 24V PoE	450357	
	Ubiquiti network POE-24-12W-G - T2QWIFI	450380	
	Cisco Catalyst 1200-8FP-2G	504668	
	ORBIT-Bracket for Aluminium pipe	405457	2
	ALU RØR 1500x40mm (Antenna pole)	405504	
	High capacity pen antenna complete	505370	

2. FEEDPIPE AND PARTS

The table shows spare parts for the pipe from the selector valve to the spreader.

2.1. Feed pipe

Description	Product No.
Feed pipe Antistatic 90mm SDR13,6	421055

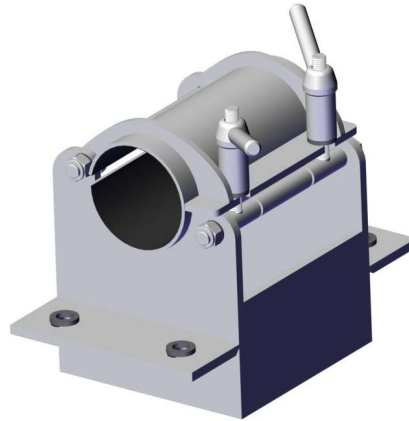
2.2. Feed pipe organizers

Description	Product No.
Pipe clamps 3xØ90 (FTO)	418735
Beam for pipe clamps (FTO-03) set	418738

3. PIPE SUPPORTS

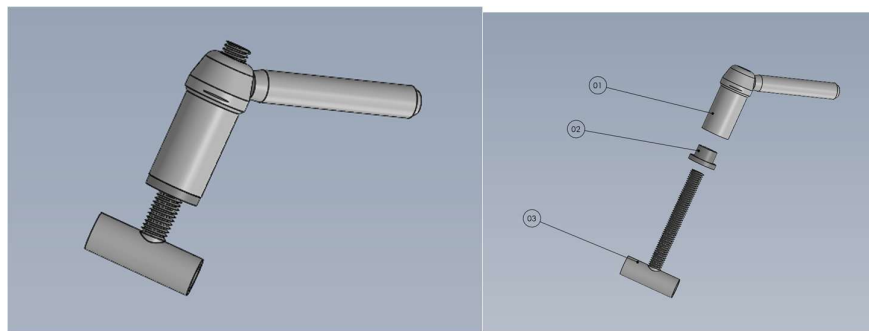
3.1. 1 Hole Pipe Support

#410770



3.1-1: 1 Hole Pipe Support

#505858- Assembly handle M12 -1 hole pipe support



3.1-2: Assembly Handle M12

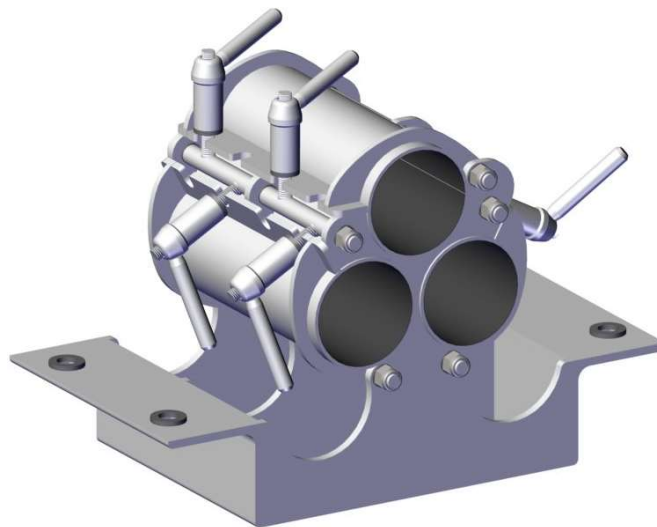
Position	Description	Product No.	Qty
01	LOCK NUT HANDLE M12 SUPPORT 1H 826099	402274	1
02	WASHER FOR HANDLE 848308	403405	1
03	BOLT HANDLE M12 SUPPORT 1H 825243	402273	1

Position	Description	Product No.	Qty
	Grip tape for pipesupport	418300	

This unit is only sold in 10mtr packets, not possible to sell in single meters!

3.2. 3 Hole Pipe Support

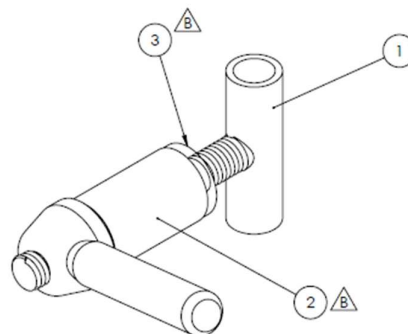
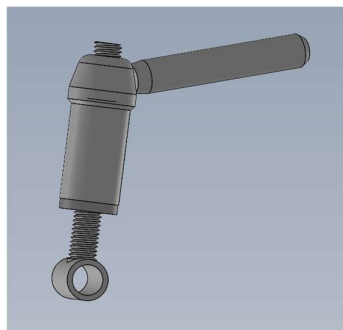
#410623



3.2-1: 3 Hole Pipe Support

Position	Description	Product No.	Qty
	Grip tape for pipesupport	418300	

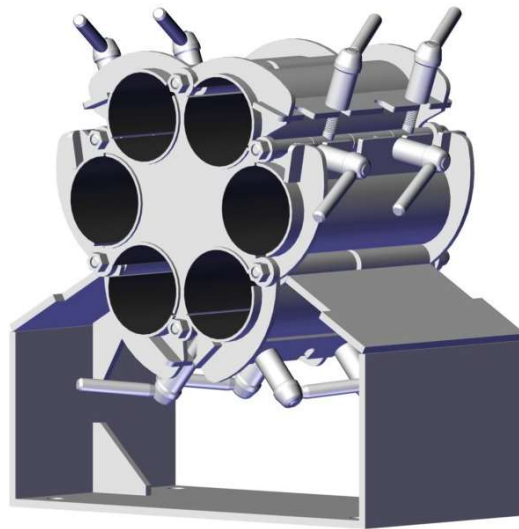
This unit is only sold in 10mtr packets, not possible to sell in single meters!



Position	Description	Product No.	Qty
01	BOLT HANDLE M12 826098	431981	1
02	LOCK NUT HANDLE M12 SUPPORT 1H 826099	402274	1
03	WASHER FOR HANDLE 848308	403405	1

3.3. 6 Hole Pipe Support

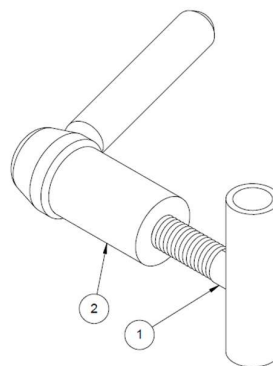
#430076



3.3-1: 6 Hole Pipe Support

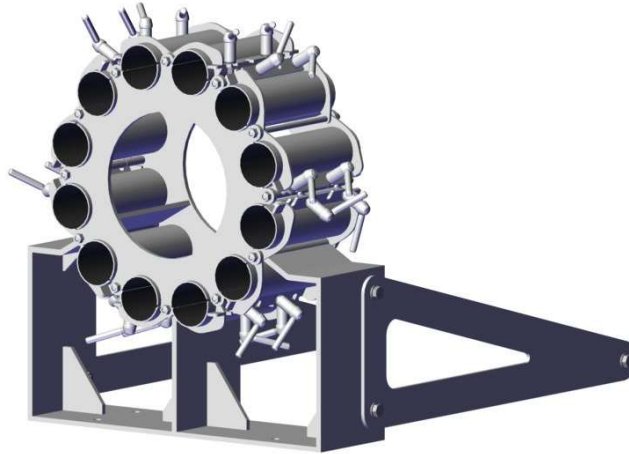
Position	Description	Product No.	Qty
	Grip tape for pipesupport	418300	

This unit is only sold in 10mtr packets, not possible to sell in single meters!



Position	Description	Product No.	Qty
01	BOLT HANDLE M12 866925	406547	1
02	Lock nut handle m12 supp.3h SS 866055	502514	1

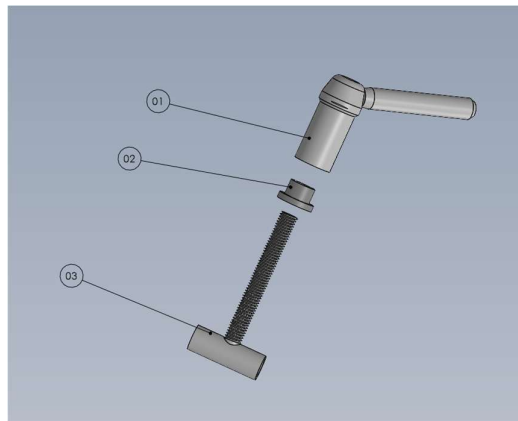
3.4. 12 Hole Pipe Support #406530



3.4-1: 12 Hole Pipe Support

Position	Description	Product No.	Qty
	Grip tape for pipesupport	418300	

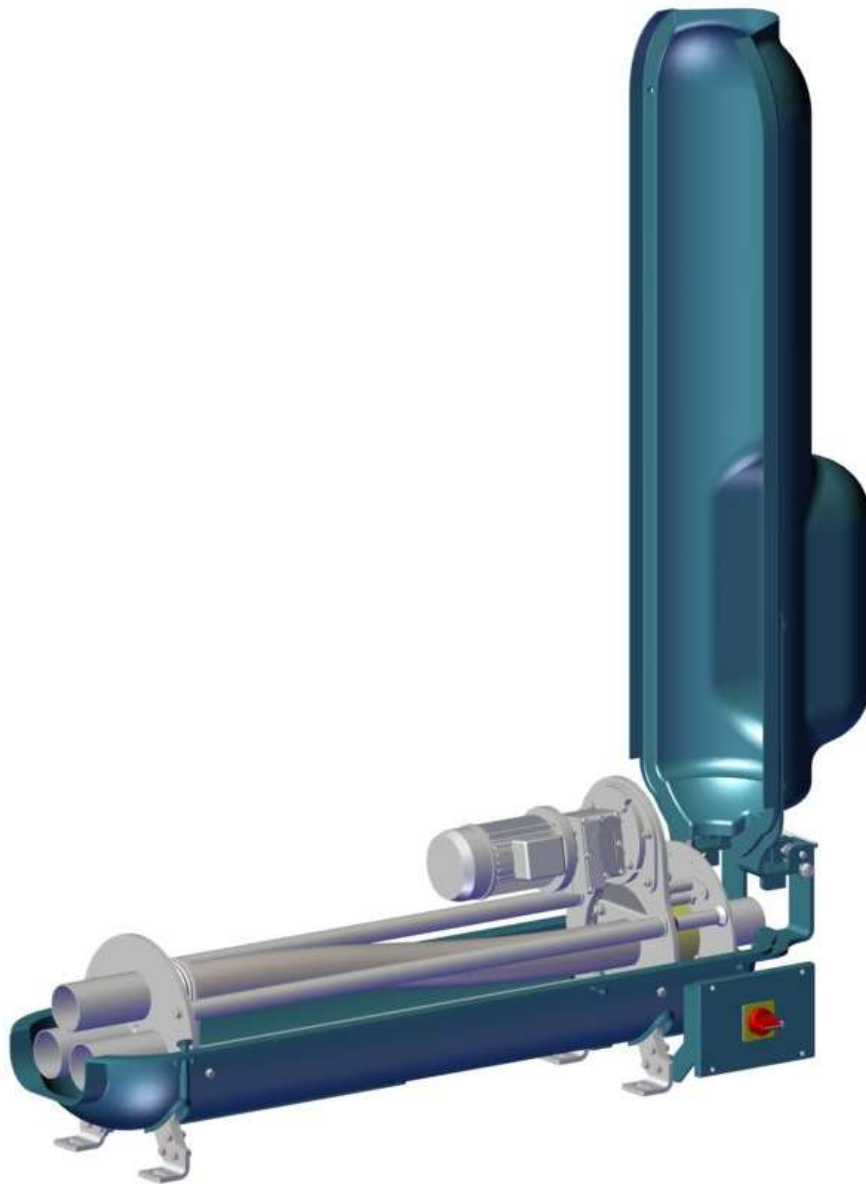
This unit is only sold in packets of 10mtr per pack, not possible to sell in single meters!



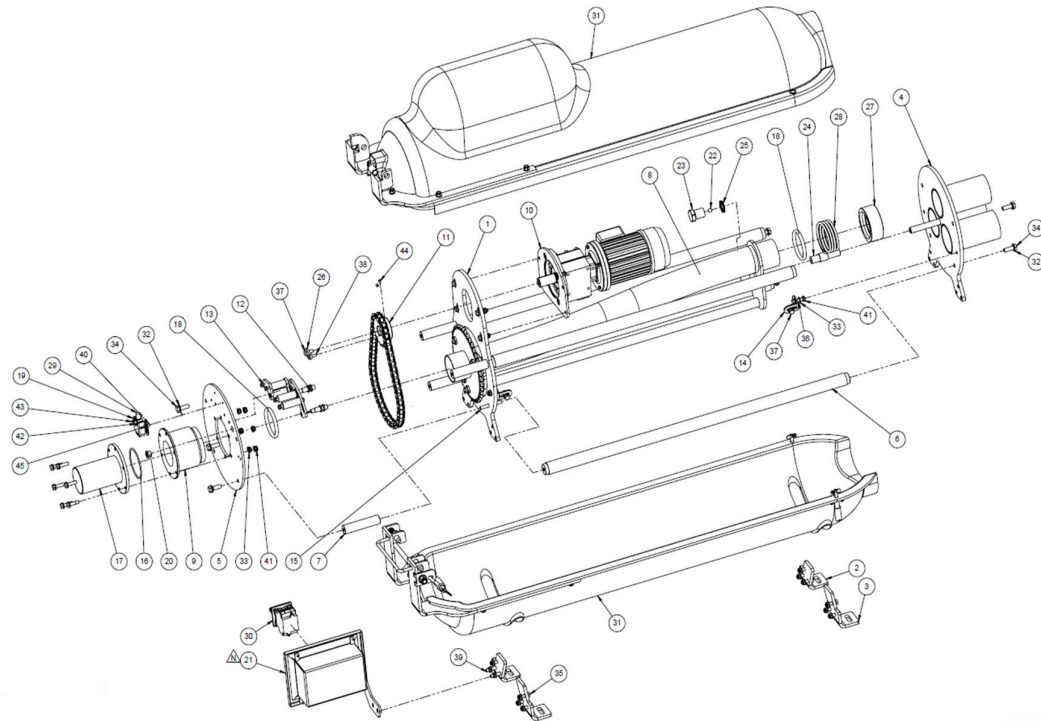
Position	Description	Product No.	Qty
01	LOCK NUT HANDLE M12 SUPPORT 1H 826099	402274	1
02	WASHER FOR HANDLE 848308	403405	1
03	BOLT HANDLE M12 866925	406547	1

4. SELECTOR VALVES

4.1. 3 Hole Selector Valve #407633



4.1-1: 3 Hole Selector Valve

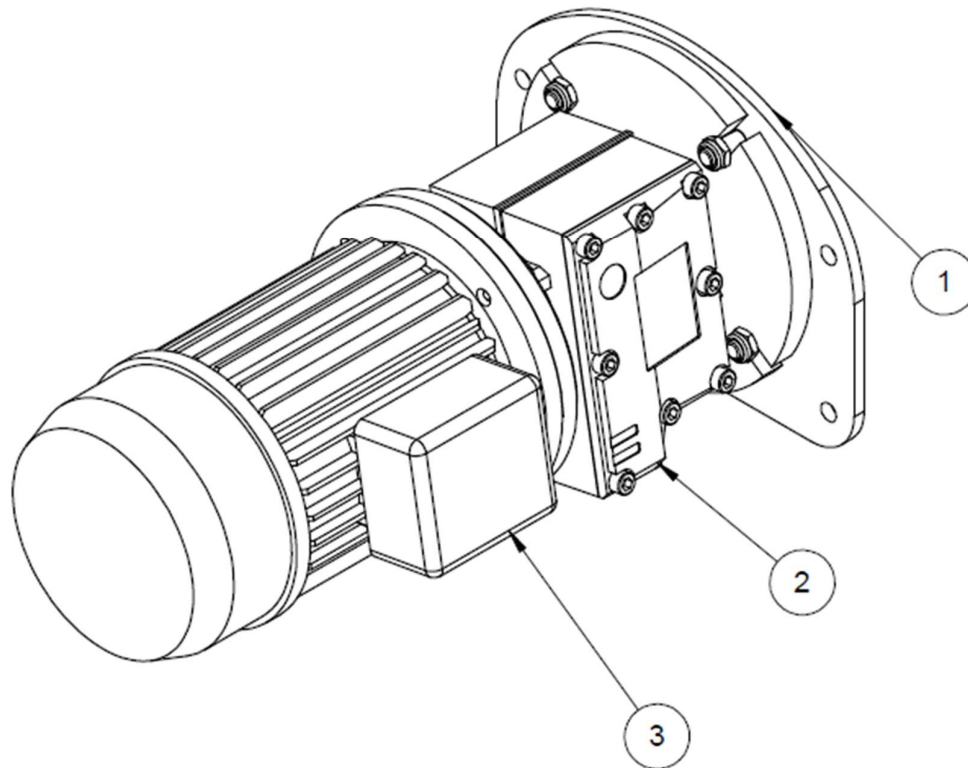


4.1-2: 3 Hole Selector Valve Exploded View

Position	Description	Product No.	Qty	Drw.No			
03	Left leg	411093	2	SW-0824426			
02	Right leg	411094	2	SW-0824416			
04	FRONT PLATE ASSY 820448(3 Hole)	411095	1	SW-0820448			
09	REAR POM BUSHING 3 and 6 Hole 820467	409586	1	SW-0820467			
27	FRONT POM 3HOLE - 6HOLE VALVE	411299		SW-0891976			
23	SPECIAL BOLT 820463	402601		SW-0820463			
11	KJEDE RUSTFRI 3 H.FOR.VENTIL	407676					
	KJEDELÅS 3-HULL F.VENTIL	407677					
	Kjede halvledd 3 hole selec. valve	407678					
	KJEDEHJUL GEAR 3 HOLE VALVE	407679					
	KJEDEHJUL PLATE 3.H. 820440	407680					
31	Selector Valve 3 Hole Cover W/Hinge	420644		SW-0868390			
22	BALL Ø10 STAINLESS	407681					
24	HEADED BUSH 820464	402602		SW-0820464			
21	SAFETY SWITCH FOR VALVE	409605	1				
-	SIKKERHETSBRYTER RØD 25A	500865	1	1475420			
-	HJELPEKONTAKTBLOKK 1SL+1BR	500862	1	1474726			
12	Inductive sensor - selectors	407683	1				

10.3	MOTOR 0.18 Kw 3/6/12/24 HOLE. VALVE o/min 1350	407674	1			
10.2	GEAR 3/6 HOLE SELECTOR VALVE	407675	1			
29	Limit Switch – Selector lid	447454	1			

Pos.10.



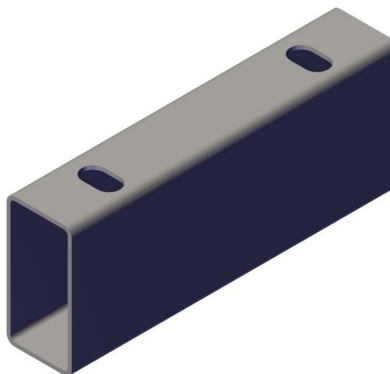
4.1-3: Motor for Selector Valve

4.2. 15 Deg. Frame for 3 Hole Selector Valve
#407691



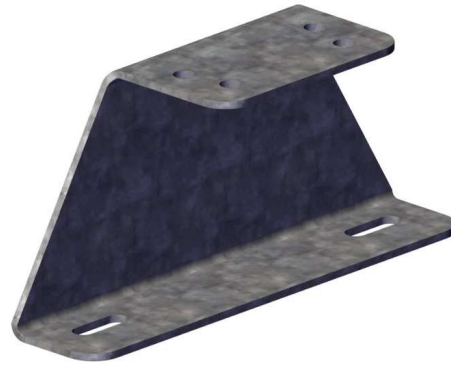
4.2-1: 15 Deg. Frame for 3 Hole Selector Valve

4.3. Mount Component 3 Hole Selector Valve (without frame 15degree)
#417701



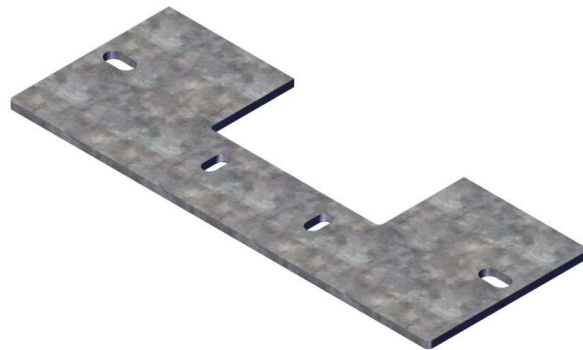
4.3-1: Mount Component 3 Hole Selector Valve (without frame 15degree)

4.4. Rear Adapter Pipe Support for direct line
#412009



4.4-1: Rear Adapter Pipe Support for direct line

4.5. Adapter Pipe Support for direct line
#412010



4.5-1: Adapter Pipe Support for direct line

4.6. 6 Hole Selector Valve

#406725



4.6-1: 6 Hole Selector Valve

For spare parts see: 4.1 3 Hole Selector Valve

4.7. 15 Deg. Frame for 6 Hole Selector Valve

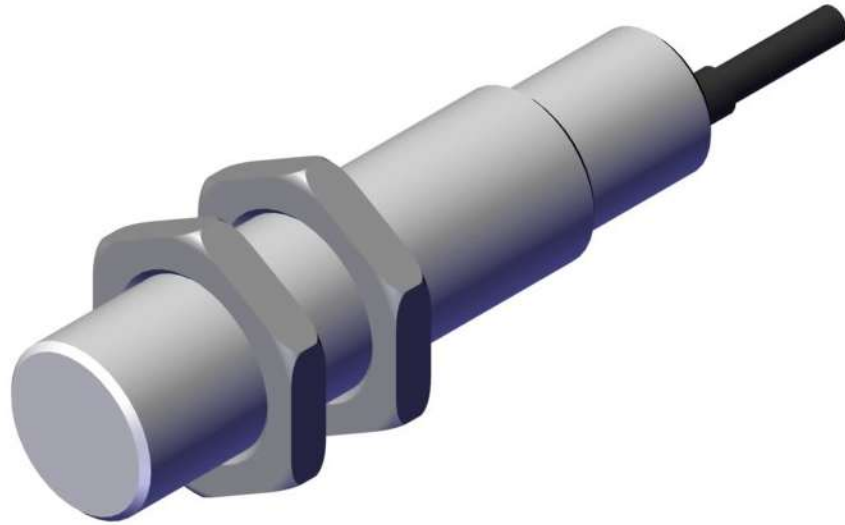
#430641



4.7-1: 15 Deg. Frame for 6 Hole Selector Valv

4.8. Inductive sensor – selectors

#407683

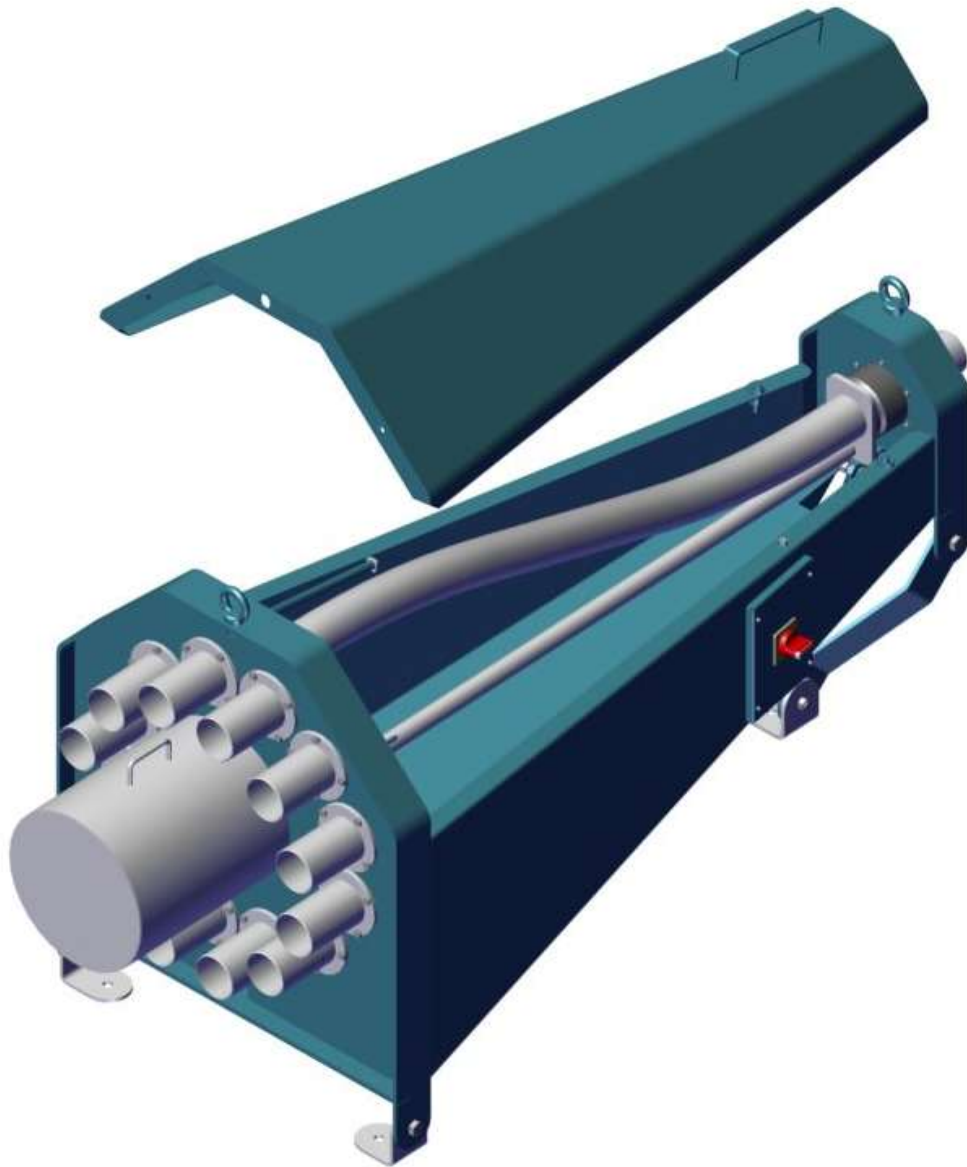


4.8-1: Inductive sensor for 3- and 6-Hole Selector Valve

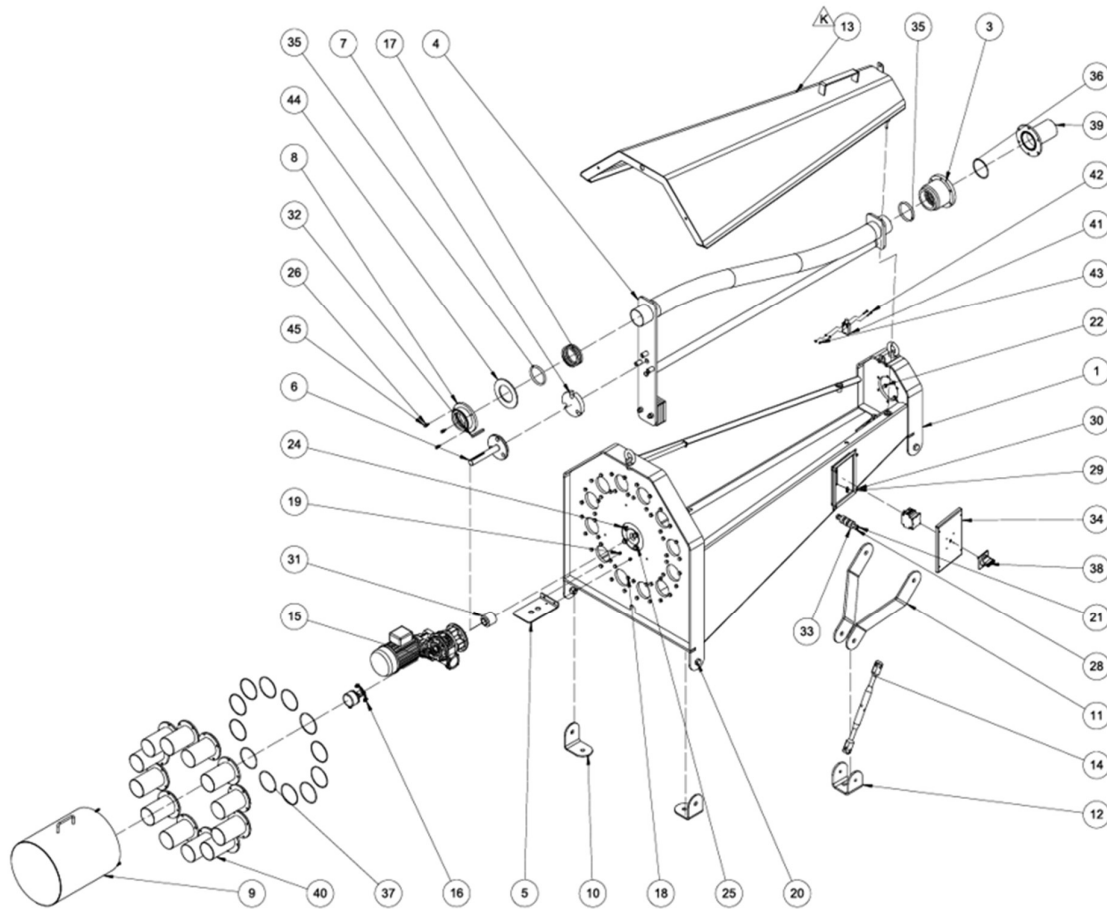
4.9. 12 Hole Selector Valve

#407634

Valve comes with six nozzles from factory. If more nozzles are needed, please order this separately.



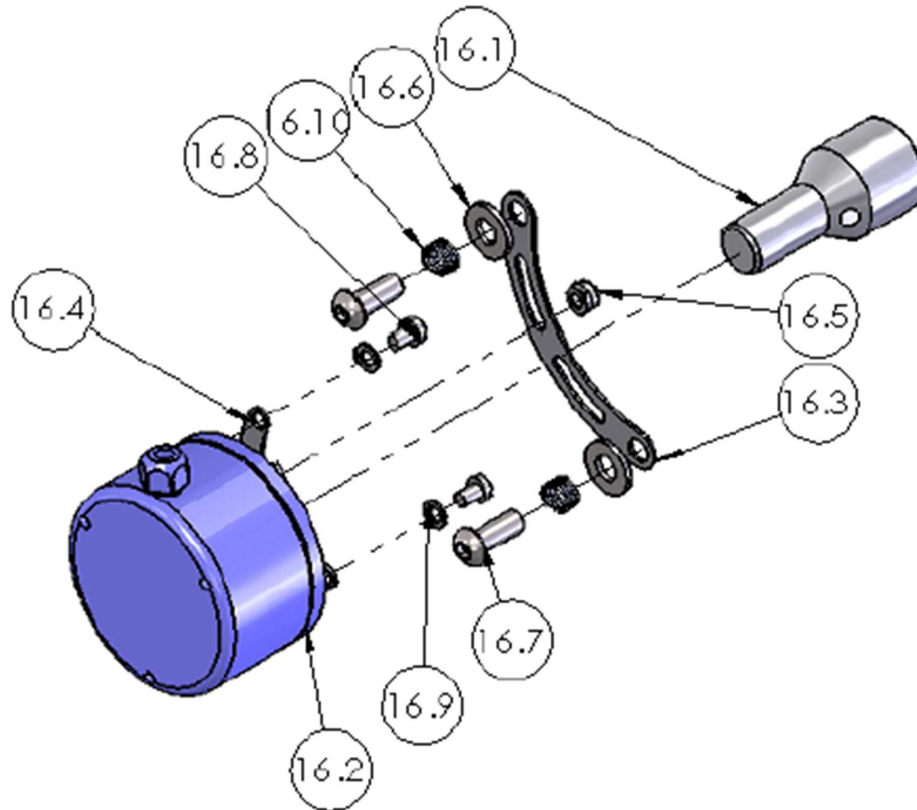
4.9-1: 12 Hole Selector Valve



4.9-2: 12 Hole Selector Valve Exploded View

Position	Description – Spare Parts	Product No.	Qty
1	Frame fab		1
2	Plate cover		1
3	Rear POM	407717	1
4	S-bend		1
	Bend	407710	1
5	Motor Cover support		1
6	Drive shaft	411838	1
7	Isolator		1
8	Front POM	407718	1
10	Front leg		2
11	Rear leg connector		2
12	Rear leg		1
13	Cover	418124	1
14	Fork and fork ringing screw M16		1
15	Motor and gear		1
	Motor	407674	1
	Gear	407713	1

16	Encoder with parts		1
17	Spring	408255	1
18	M8x16 DIN 933		49
19	B18.2.3M hex cap screw M6x1x25		2
20	B18.2.3.1M hex cap screw M6x2x35		4
21	B18.2.3.1M hex cap screw M12x1,75x110		1
22	M8x40 DIN933		6
23	M12x50 DIN933		1
24	M10x25 DIN933		4
25	M10 washer DIN125		4
26	B18.2.4.1M hex nut M6x2		8
27	B18.2.4.1M hex nut M16x2		4
28	M12 DIN934		5
29	M4x20 DIN4762		4
30	M4 washer DIN125		6
31	Bushing		1
32	Shaft key		1
33	Washer for fork and for ringing screw		3
34	Cover box electrical		1
35	O-ring 75x7 nitrile	411307	2
36	O-ring 80x3	411306	1
37	O-ring 88x3	418629	12
38	Switch		1
39	Infeed spigot	411300	1
40	Nozzle	407708	12
41	Limit switch - selectors	447454	1
42	M4x25 DIN EN ISO 7045		2
43	M4 hexagon nut		2
44	Front thrust disc		1
45	M6X20 ISO4017		3



4.9-3:Encoder with parts Exploded View

Position	Description – Encoder with parts	Product No.	Qty
16	Encoder with parts		1
16.1	Encoder drive adapter	409896	1
16.2	Encoder 12ppr with 25m cable	407715	1
16.3	Encoder bracket for gear		1
16.4	Encoder bracket	409872	1
16.5	M4 DIN EN ISO 10511		1
16.6	Washer ISO 10673-7.4-S		2
16.7	M6x16 ISO 7380		2
16.8	M4x6 ISO 1207		3
16.9	Spring washer DIN 128-A4		2
16.10	Encoder spring		

4.10. 15 Deg. Frame for 12 Hole Selector Valve
#430382

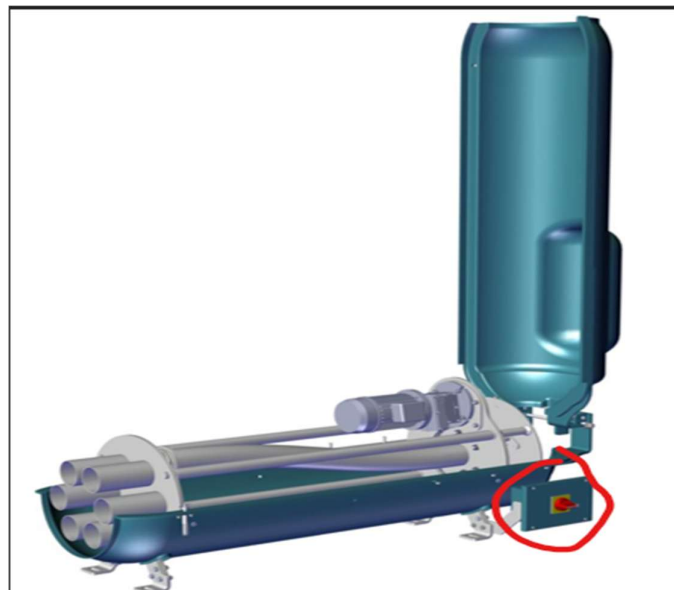


4.10-1: 15 Deg. Frame for 12 Hole Selector Valve

4.11. Encoder for 12 Hole Selector Valve

Position	Description	Product No.	Qty
1	Encoder 12 ppr 25m cable	407715	1
2	Encoder bracket	409872	1

4.12. Safety Switch for Selector Valve
#409605

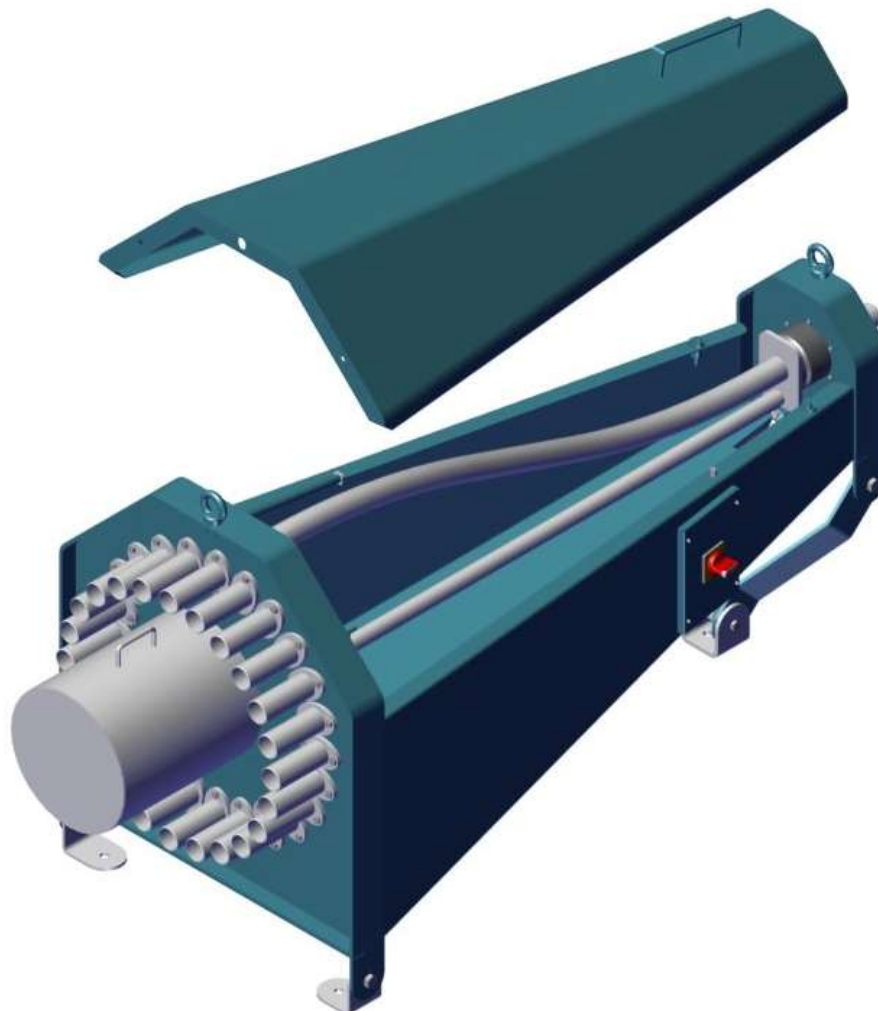


4.13. Feedpipe adapters direct lines and selectors

Description	Product No.
Feedpipe adapter Ø80/Ø89,1 Canada size	408109
Feedpipe Ø90 Adapter – Ø76,1 (direct line adapter)	411194
Feedpipe Ø90 Adapter – Ø80 (selector adapter)	410636
Selector inlet adapter Ø84 – Ø76,1 (oceca pipe adapter to ScaleAQ selector inlet)	447971

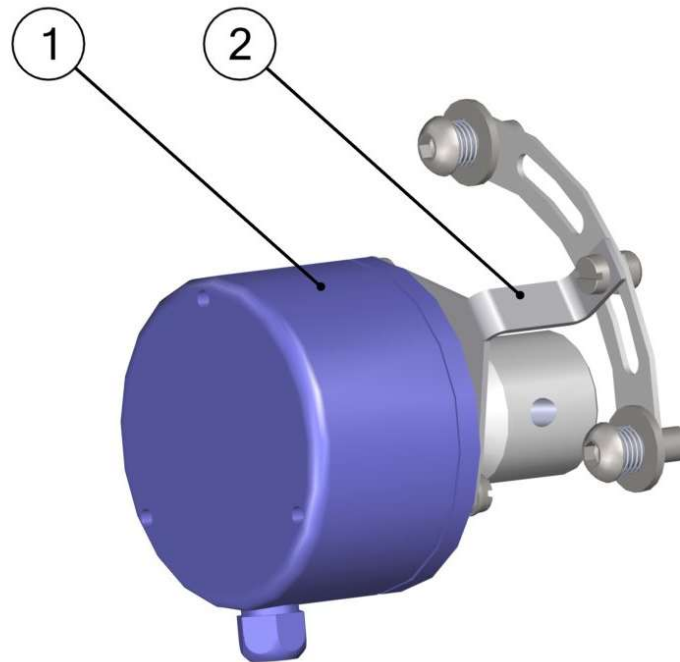
4.14. 24 Hole Selector Valve (for Ø48mm feedsystems)

#407635



4.14-1: 24 Hole Selector Valve for 48mm System

4.15. Encoder for 24 Hole Selector Valve

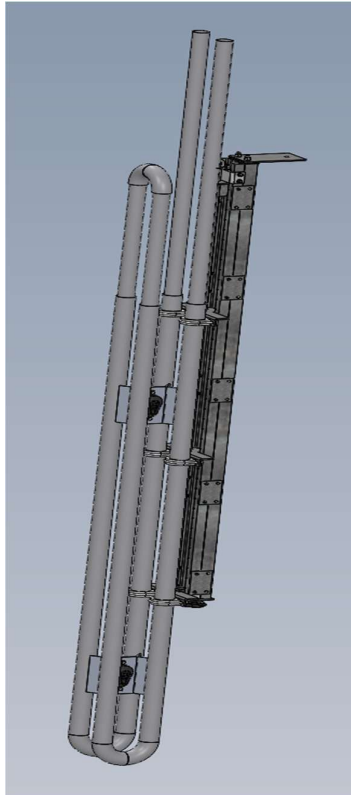


4.15-1: Encoder for 24 Hole Selector Valve

Position	Description	Product No.	Qty
1	Encoder 24 ppr	407721	1
2	Encoder bracket	409872	1

5. U-COOLER

5.1. Double U-cooler with sliding bracket complete #420703



5.1-1: Double U-cooler with sliding bracket complete

Description	Dwg.No.:	Product No.
U-cooler sliding double - Complete	SW-0846180	420703

5.2. Spares for U-cooler

Description	Dwg.No.:	Product No.
Sliding bracket Double U-cooler	SW-0846376	402761
Double U-cooler pipes – without sliding bracket	SW-0978068	504878
Sink anode for U-cooler	SW-0826646	407777
U-Clamp 90mm	SW-0826651	407644
U-Clamp 76mm		419492

6. BLOWERS

If your blower needs maintenance or spare parts, please contact ScaleAQ service and provide the serial number from the blower you have, as this will help us identify the correct spare parts for your blower.

6.1. Blower Robuschi

Description – Blower Robuschi	Product No.
Blower EL 45 22KW 400/690V EL=Without enclosure	412065
Blower ES 45 22KW 400/690V ES=With enclosure	412066
Blower ES 45 30KW 400/690V	412068
Blower EL 45 30KW 400/690V	501526
Blower EL 15 11kW 400V/690V	448845
Blower ES 15 11kW 400V/690V	409359

Description – Oil kit for Blower Robuschi	Product No.
Blower oil kit Robuschi (contains 2pcs 1 litres Oil cans and 1 pcs drain plug)	412047
- Blower oil Robuschi (1liter can)	TBD
- Blower oil drain plug Robuschi	TBD

Description – Oil for Blower Robuschi	Product No.
BLOWER OIL ROBUSCHI (20liter can)	411738

Description – Belts for Blower Robuschi	Product No.
V-belt Robuschi blowers 22 and 30kW (Brand:Matchmaker)	407854
V-belt Robuschi blowers 22 and 30kW (Brand:Continental)	506992

V-belts: order 3pcs for 22kW blowers and 4pcs for 30kW blowers

Description – Spare parts for Blower Robuschi	Product No.
Airfilter Robuschi ES/EL 45/55 Blowers	407806
Robuschi blowers - Gasdamper for noise cabinet lid	505377
Outlet bend 90-degree (robushi blowers ES/EL45) Ø114mm/Ø76mm	420951
Outlet bend 90-degree (robushi blowers ES/EL15) Ø76mm/Ø48mm	448755

6.2. Blower Aerzen

Description – Blower Aerzen	Product No.
Blower Aerzen 30KW with cabinet included outlet bend	421203
Blower Aerzen 30KW without cabinet included outlet bend	430340
Blower Aerzen 22KW with cabinet included outlet bend	420248
Blower Aerzen 22KW without cabinet included outlet bend	420764

Description – Oil for Blower Aerzen	Product No.
Aerzen Oil bundle - Delta lube 06-1liter	421382

Order 2pcs per blower

Description – Belts for Blower Aerzen	Product No.
Aerzen V-belt 22 kw DIN 7753-1 XPZ-1400	440068

Order 3pcs per blower

Description – Spare parts for Blower Aerzen	Product No.
Aerzen Air filter cartridge	421381

Order 1 pcs per blower

6.3. Blower Kaeser

Description – Blower Kaeser	Product No.
Kaeser with cabinet CB131C 30KW	419236
Kaeser without cabinet CB131 C 30KW	419239
Kaeser with cabinet CB131C 22KW	420942
Kaeser without cabinet CB131C 22KW	419499

Description – Oil for Blower Kaeser	Product No.
Blower Oil Kaeser (1liter can)	419238

Description – Belts for Blower Kaeser	Product No.
Kaeser kilerem XPZx1400 (4 Stk. Pr. Blåser)	419218
V-belt Kaeser blowers 22 and 30kW (Brand:TBD)	
Kaeser Kilerem CB131C-XPZ 1362 (4 Stk. Pr. Blåser)	419232
V-belt Kaeser blowers 22 and 30kW (Brand:	

Order 4pcs per blower

Description – Spare parts for Blower Kaeser	Product No.
Airfilter Kaeser DN80/DN100 893199.0	419233

Order 1pcs per blower

6.4. For All Blowers

Description	Product No.
Cable Gland EMC M40 (skintop)	500421
Reducer for gland M50/M40	500437
Blower fan Thermostat box	420233

7. FREQUENCY CONVERTERS

Description	Product No.
ATV650 IP55+SW 30KW 400/480V	501231
ATV650 IP55+SW 22KW 400/480V	501229
ATV650 IP55+SW 11KW 400V/480V	501189

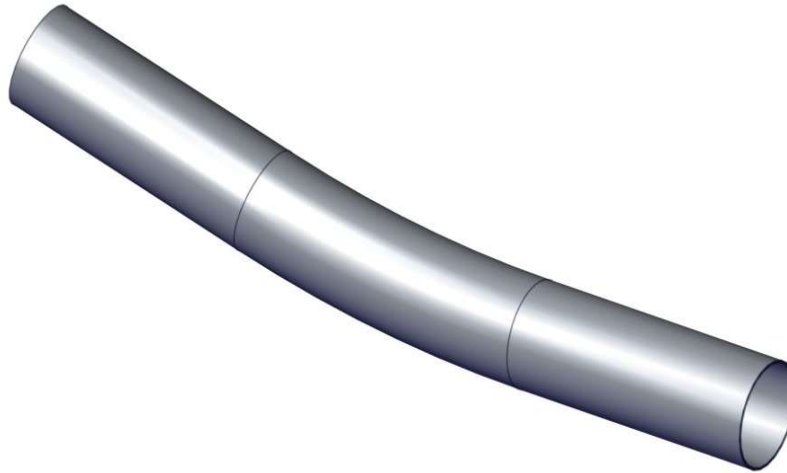
8. PIPES, CLAMPS, FITTINGS AND BENDS

8.1. Pipes and fittings

Description	Product No.
Exhaust hose marine SJ2006 3" for 76,1 mm system	407950
Exhaust hose marine Ocea 3 1/2" for 84 mm system	419247
Pipe Ø76,1 x 1,6 AISI304	407891
Drop in Anchor EDA-K M10	409592
Thread Rod M10	409003
Roxtec RS-125 WOC AISI316	500266
Roxtec welded frame RS-125 AISI316	409770
HPJ clamp 80-90mm Galvanized	408275
HPJ clamp 80-90mm AISI316	408276
Eurac Ø76,1mm L=150mm Galvanized	407910
Eurac Ø76,1mm L=150mm AISI316	448659
Pipe Clamp rubber 74-80mm M10 Galvanized	409594
Pipe Clamp rubber 74-80mm M10 AISI316	448672

8.2. Bends

#439020

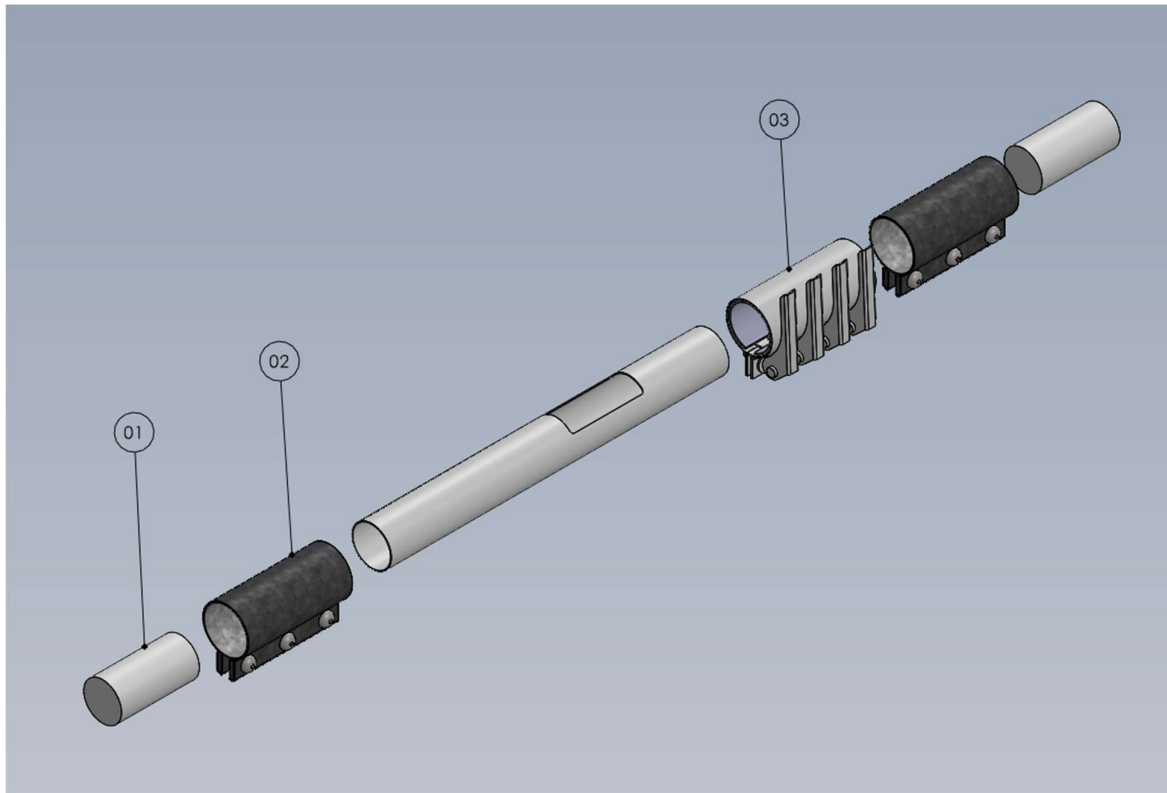


8.2-1: Bend 76,1x2x15' R900

Description	
Bend Ø76,1x1,6x15' R600	408189
Bend Ø76,1x2,0x15' R900	439020
Bend Ø76,1x1,6x45' R600	407907
Bend Ø76,1X1,6 45' R900	409581
Bend Ø76,1x1,6x45' R1000	407902
Bend Ø76,1x1,6x30' R600	407906
Bend Ø76,1x1,6x30' R1000	407901
Bend Ø76,1X1,6 60' R900	450857
Bend Ø76,1x1,6x90' R600	407909
Bend Ø76,1x1,6x90' R900	407896
Bend Ø76,1x1,6x105' R600	407905
Bend Ø76,1x1,6x105' R900	409436
Bend Ø76,1x1,6x105' R=1000	407904
Bend Ø76,1x2,0x90' (welding bends for hot side feedpipe)	441975

9. CLEANING STATION

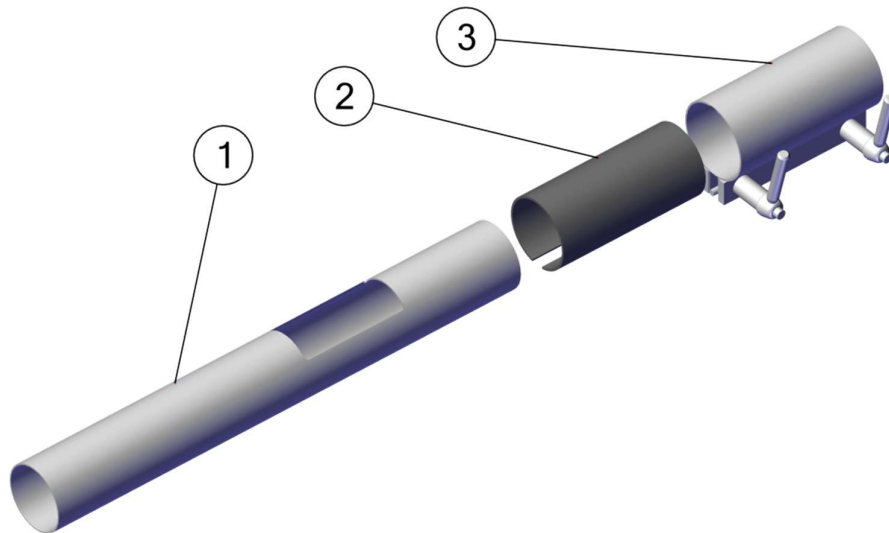
9.1. Cleaning Station Ø76,1 #408041



9.1-1: Cleaning Station Ø76,1

Position	Description	Product No.	Qty
01	Cleaning sponge	408024	2
02	Eurac coupling	407911	2
03	SAQ QUICK CLAMP Ø76.1 x 200	505718	1

9.2. Cleaning Station Ø84x2 Ocea feeding system size
#421094



9.2-1: Cleaning Station Ø84x2 Ocea feeding system size

10. SENSORS

Description	Product No.
Level sensor 24V complete with Nut	407817
Level sensor 24V (only the sensor without nut)	407816
Nut for level sensor (1 1/2")	407815
Level sensor for sluices or silos (230V version ocea) RN4001	419131
Pressure transmitter SAQ Feedstation (Bravo 0-1,6 BAR)	407771
Temperature transmitter SAQ Feedstation 1/2" BSP 4-20mA	448613

11. SLUICES AND ACCESORIES

11.1. Sluice H-GRD 200 Easy (TBMA)

#450825



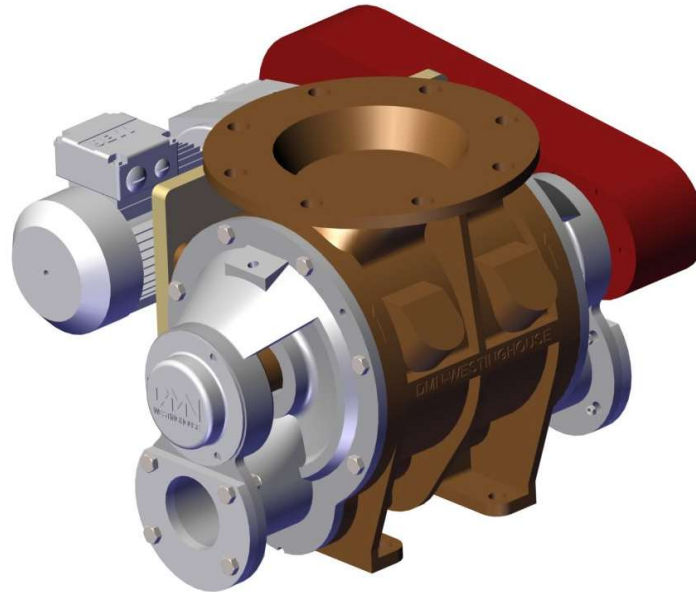
11.1-1: Sluice H-GRD 200 1 easy w/ nozzles

Sluice TBMA – sizes and types:	Product No.
Sluice H-GRD 200 Easy	450825
Sluice H-GRD 150 Easy	450910
Sluice H_GRD 150 Standard	450911
Sluice H-GRD 175 Easy	450909
Sluice H-GRD 175 Easy (CSA-approved)	450914
Sluice H-GRD 200 Standard	450913

Spareparts for TBMA:	Product No.
Sluice H-GRD 200 - Blades (9pcs with bolts) - TBMA	504139
Sluice H-GRD and BL - Gasket String 8x8MM (pack of 15mtrs)	407789
Sluice H-GRD and BL - Cleaning oil	501536
Sluice H-GRD 200 - Safety cover shaft	504686
Sluice H-GRD 200 and BL 200 - Inlet nozzle Ø76,1mm	440014
Sluice H-GRD 200 and BL 200 - Inlet nozzle Ø84mm	450236
Sluice H-GRD 200 and BL 200 - Outlet nozzle Ø76,1mm	408950
Sluice H-GRD 200 and BL 200 - Outlet nozzle Ø84mm	451065

11.2. Sluice BL 200 Easy (Westinghouse)

#410413

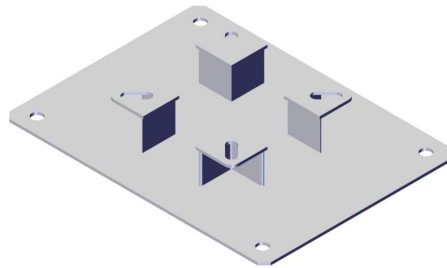


11.2-1: Westinghouse Sluice BL 200 1 easy w/ nozzles

Sluice Westinghouse – sizes and types:	Product No.
Sluice BL 200 EASY w/NOZZLES	410413
Sluice BL 150 Standard	407781
Sluice BL 175 Easy	410432
Sluice BL 175 Standard	407782
Sluice BL 200 Standard	407784

Spareparts for Westinghouse:	Product No.
Sluice BL 150 - Blades (9pcs with bolts) - Westinghouse	420631
Sluice BL 175 - Blades (9pcs with bolts) - Westinghouse	407787
Sluice BL 200 - Blades (9pcs with bolts) - Westinghouse	407788
Sluice H-GRD and BL - Gasket String 8x8MM (pack of 15mtrs)	407789
Sluice BL 150/175 - Gear and Motor	409035
Sluice BL 150/175 – Chain ½” L=1mtrs	410302
Sluice BL 200 – Chain ½” L=1mtrs	421175
Sluice BL 200 – Gear and Motor	421302
Sluice H-GRD and BL - Cleaning oil	501536
Sluice H-GRD 200 and BL 200 - Inlet nozzle Ø76,1mm	440014
Sluice H-GRD 200 and BL 200 - Outlet nozzle Ø76,1mm	408950
Sluice H-GRD 200 and BL 200 - Inlet nozzle Ø84mm	450236
Sluice H-GRD 200 and BL 200 - Outlet nozzle Ø84mm	451065
Sluice BL 200 - Safety cover shaft	438490

11.3. Adjustable Brackets (stands for all sluices)



11.3-1: Stand for 150 sluice

Description	Product No.
Sluice H-GRD and BL - Adjustable bracket 175-200	407785
Sluice H-GRD and BL - Adjustable bracket 150	409340

11.4. Plough (for all types sluiceboxes)

11.4-1: Old plough



11.4-2: New type plough 200

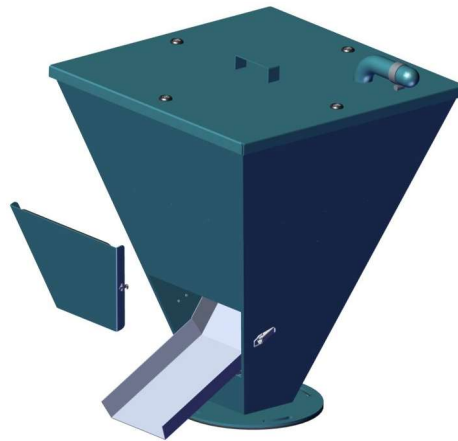
Description	Product No.
Sluice H-GRD and BL - Plough 175	407786
Sluice H-GRD and BL - Plough 200 (old style plough) obsolete, use 505851 as alternative	408442
Sluice H-GRD and BL - Plough 200 (New style plough)	505851
Sluice H-GRD and BL - Plough 150	409755

11.5. Safety switches Sluice parts

Description	Product No.
Sluice - Reversing Switch	409607
Sluice - Safety Switch	409673

12. SLUICE BOXES

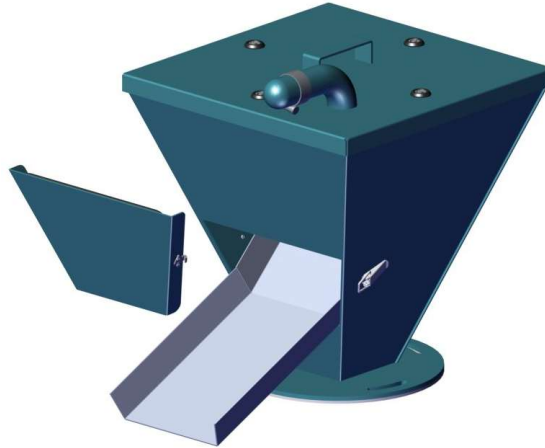
12.1. High Profile boxes



12.1-1: High Profile Sluice Box

Description	Product No.
Sluice box 200 HP Cal. Hatch	410591
Sluice box 175 HP Cal. Hatch	420649
Sluice box 150 HP (no cal.hatch option available)	420648

12.2. Low Profile boxes



12.2-1: Low Profile Sluice Box

Description	Product No.
Sluice box 150 LP Cal. Hatch	407790
Sluice box 175 LP Cal. Hatch	407791
Sluice box 200 LP Cal. Hatch	409005

12.3. Spare Parts Sluice Boxes

Description	Product No.
Sluice box - Dust Collector bag	406093
Sluice box – Lid key (for item 406156)	406448
Sluice box 200 HP – Calibration shute	404382
Sluice box 200 LP – Calibration shute	403520
Sluice box lid 600x600 Alle HP (SW-0863467)	405856
Sluice box – lock for lid with key	406156
Sluice box 200 – Seal (lower)	412123
Sluice box 175 – Seal (lower)	412122

12.4. Calibration weight

Description	Product No.
CALIBRATION WEIGHT ITE-WS-150	408043

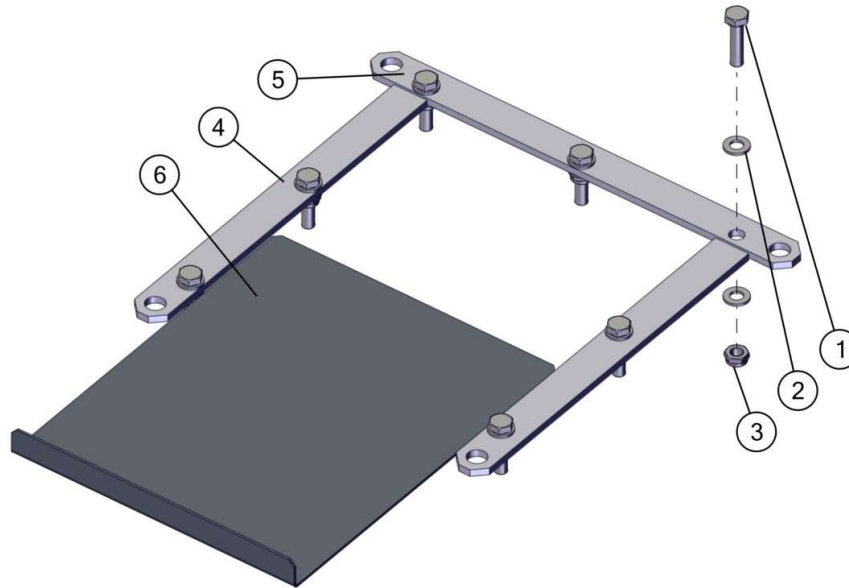


12.4-1: Calibration weight

13. SILO OUTLETS

13.1. Silo Shut Off and Plate w/ bolts

#408544

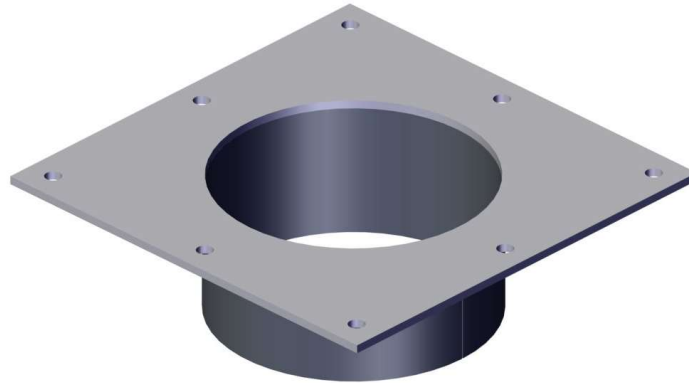


13.1-1: Silo Shut Off Plate

Position	Description	Product No.	Qty
1	Hex screw grade a b M10x40		7
2	Plain washer grade a M10		14
3	Lock nut M10		7
4	Flange Packer B	408545	2
5	Flange Packer	408546	1
6	Shut off plate	407886	1
	Fixings for Silo Shutoff and plate	502870	1set

13.2. Silo Outlet Single - Ø200 H=100

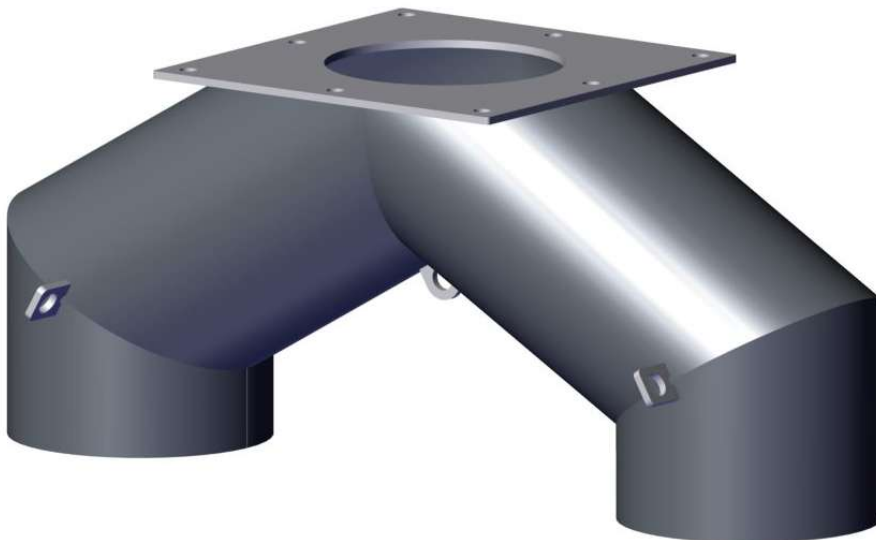
#407632



13.2-1: Silo Outlet Single - Ø200 H=100

13.3. Silo Outlet Double - Ø200 H=321

#408151



13.3-1: Silo Outlet Double - Ø200 H=321

13.4. Silo Outlet Trippel - Ø200 H=316
#409497

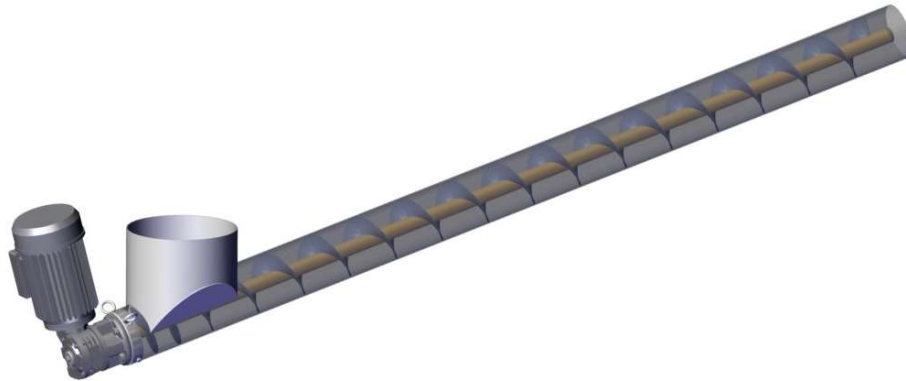


13.4-1: Silo Outlet Trippel - Ø200 H=316

14. AUGERS Ø129MM

The length of the auger varies from installation to installation. For 76,1 mm system.

14.1. Auger 2,0 m – 3,0 m

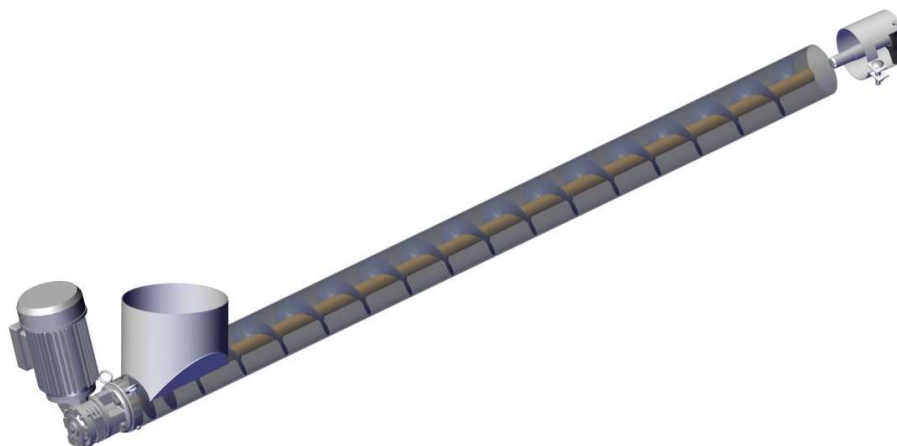


14.1-1: Auger 3,0 M or shorter

Description	Product No.
AUGER 129mm 2,0 MTR	407629
AUGER 129mm 2.5 MTR	407630
AUGER 129mm 3,0 MTR	407631

14.2. Auger 3,5 m – 5,0 m with shaft support

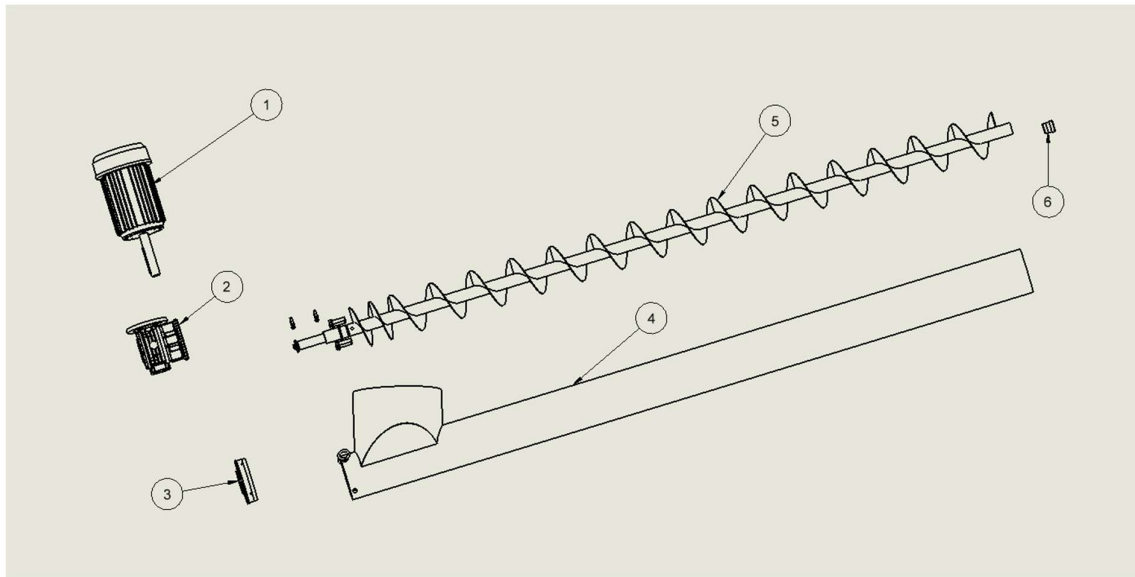
For 76,1 mm system.



14.2-1: Auger 3,5 M or longer with shaft support

Description	Product No.
AUGER 129mm 3.5 MTR w/SUPPORT	408518
AUGER 129mm 4,0 MTR w/support	420449
AUGER 129mm 4.5 MTR w/SUPPORT	421368
AUGER 129mm 5,0 MTR w/SUPPORT	502549

14.1. Spare Parts Augers Ø129mm and silo spares parts



14.1-1: Auger Ø129mm Exploded View

Pos.	Description	Drw.No	Product No.
1	Motor Auger 1,1kW (standard motor as delivered new)		407869
2	Gear Auger 1/18 (standard gear as delivered new)		408380
2	Gear Auger 1/30 (gear for lower doses)		442815
	Flat Hose PVC for Auger (Ø262mm) for augers 129mm		407874
	HPJ Clamp 260mm (for Flathose)		408279
	HPJ Clamp 210mm (for flathose)		408277
	Chain – Auger hangup chain		408348
	Shackle – Auger hangup chain		407876
3	Motor mounting flange Auger Ø129mm	SW-0833503	407870
6	TUBE PLUG. SW-0834466	SW-0834466	411559
	Calibration Weight ITE-WS-150		408043
5	CONVEYOR ASSY 2.0MT	SW-0833499	402573
5	CONVEYOR ASSY 3.0MT	SW-0833499	402932
5	CONVEYOR ASSY 4.0MT	SW-0833499	402937
5	CONVEYOR ASSY 6.0M	SW-0833499	418335
	AUGER SHAFT 129mm SUPPORT ASSY	SW-0866313	420294



Figure 14.1-2 - Picture of Item no.: 407870

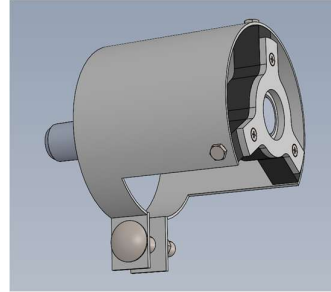


Figure 14.1-3 - Picture of Item no.: 420294

This is needed if Auger is from 3,5M and up.

Description	Product No.
AUGER Safety Switch OTE16T3M EMC	500850
Dust collector tray	418138
Auger – shaft 129mm Support Assembly	420294

15. CONTROL CABINETS

Description	Product No.
PLC Cabinet 400V Feed station	430534
IO Cabinet 400V Feedstation	430533

15.1. Spares for control cabinets

Description	Product No.
ATV320 1,1kW 230V compact inverter (standard delivery with cabinets)	501216
ATV320 0,37kW 230V compact inverter	501214
ATV320 0,75kW 230V compact inverter	501220
ATV320 1,5kW 230V compact inverter	501217
Reversing relay 24DC/550AC – 2,4A (standard delivery with cabinets)	501183
Reversing relay 24DC/550AC – 9,0A (if sluice is converted to 230V)	421033
Power supply 24V 3,1A (6601285)	449950

16. OTHER EQUIPMENT

Description	Product No.
Network Cabinet 12U	421379
- Innehold Cabinet:	
- Patcheguide 2HU m/deksel BK	501376
- Patchepanel 24 Snap-in Skuf BK	501427
- ScaleAQ 24 port PoE Switch	442388
- SCALE UPS. Online Cyberpower with Remote Control Module	449981
- Cabinet12U Rack Empty Cabinet	407341
- LANMARK6A SKJ. SNAPIN ENTR	501396
- Burmutter for 19" M6	501541
- Rack Power Rail-19"Power rail 7xCEE 7/4-2M	447653

Other equipment	Product No.
Orbit Monitor 4K	430895
Orbit Workstation PC	418601
Modbus Network Package	430987
Samsung Galaxy Tab	430217
ScaleAQ Server OBSOLETE (use 506991)	420732
ScaleAQ Server 3rd Gen - 1U	506991
SCALE UPS, Cyberpower OLS1000ERT2U	449981
Engenius EWS850-FIT outdoor AP	506273